

Concrete Mixer Supply, Olean, New York
Front Discharge Mixers

Concrete Mixer Supply.Com



*Oshkosh - Advance
Conquest - Phoenix
Mixer Parts!*

Call Mike & Rick

Toll Free 877-254-0715

We accept Credit Cards

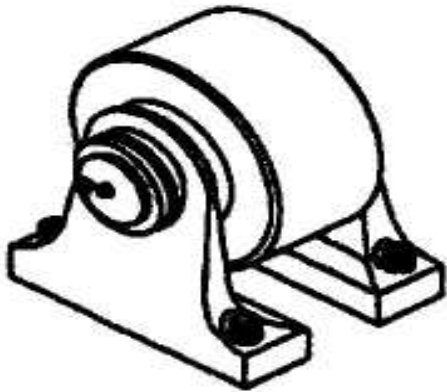
www.concretemixersupply.com Toll Free -877-254-0715 Cell -716-498-0299

Fax-716-701-6747

Concrete Mixer Supply, Olean, New York
Front Discharge Mixers

Drum Roller Special

Oshkosh Rollers



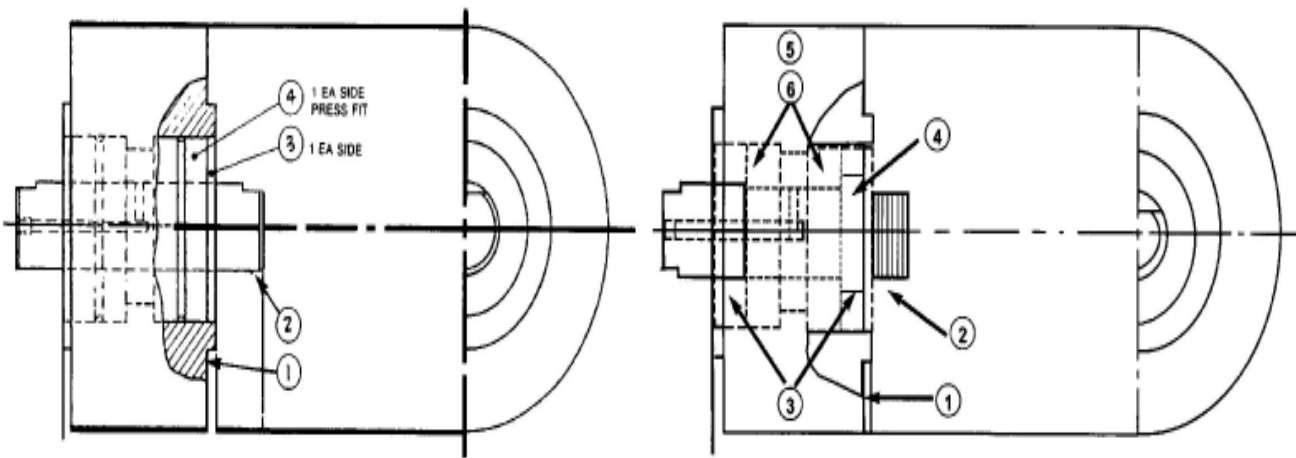
**Buy any 4 at
\$250 each
we pay
the Freight**

**\$225 if purchased off parts truck
no freight**

Advance Rollers

Old Style

New Style



Forged rollers are surface hardened, completely assembled, hand greased ready to install

Concrete Mixer Supply, Olean, New York
Front Discharge Mixers

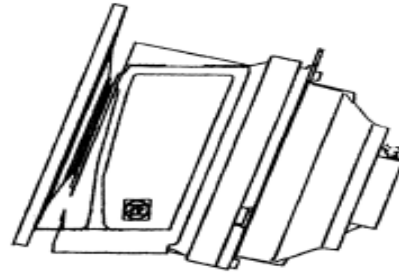
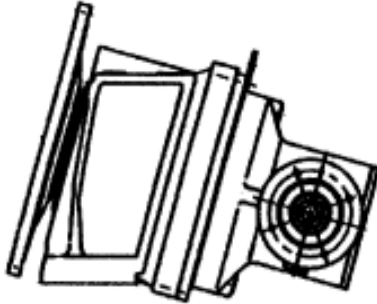
Mixer Maintenance

Rebuilt Gearbox

\$2695 +core

PK Style

P Style

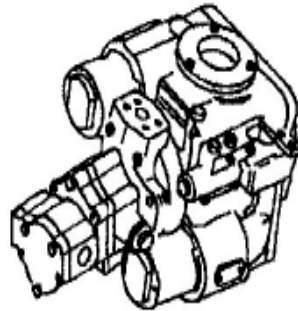
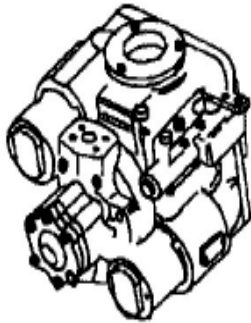


Rebuilt Pump

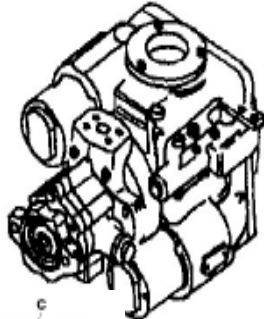
\$975 +core

STANDARD

DUAL ELEMENT



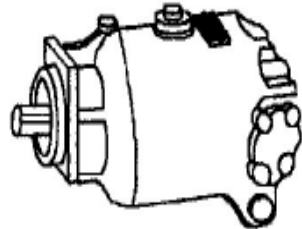
A-PAD



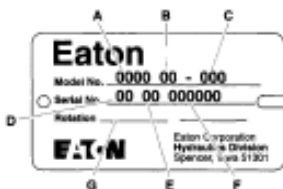
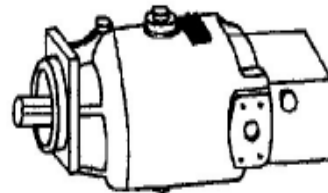
Rebuilt Motor

\$795 +core

W/O HPRV

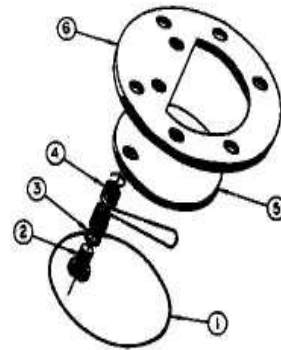
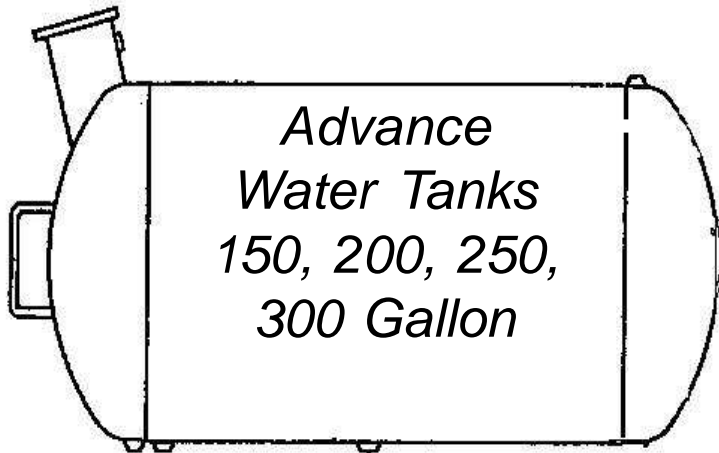


W/ HPRV



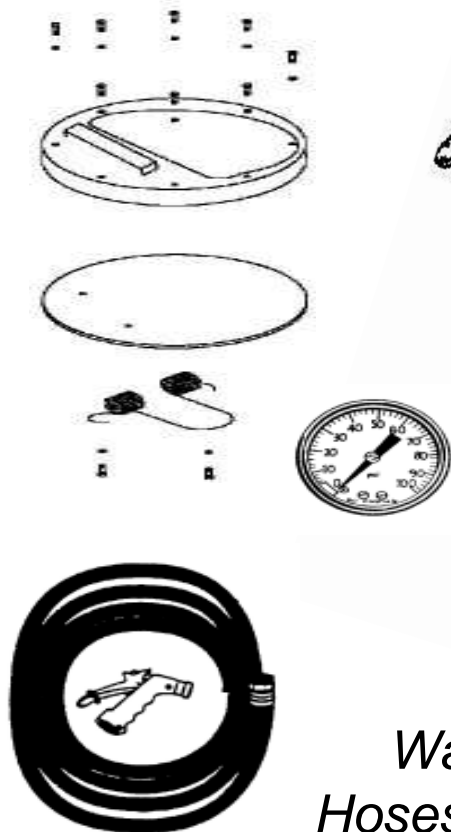
Have Model # and Serial #
 when ordering
 gearbox, pumps and motors

Concrete Mixer Supply, Olean, New York
Front Discharge Mixers
Mixer Maintenance

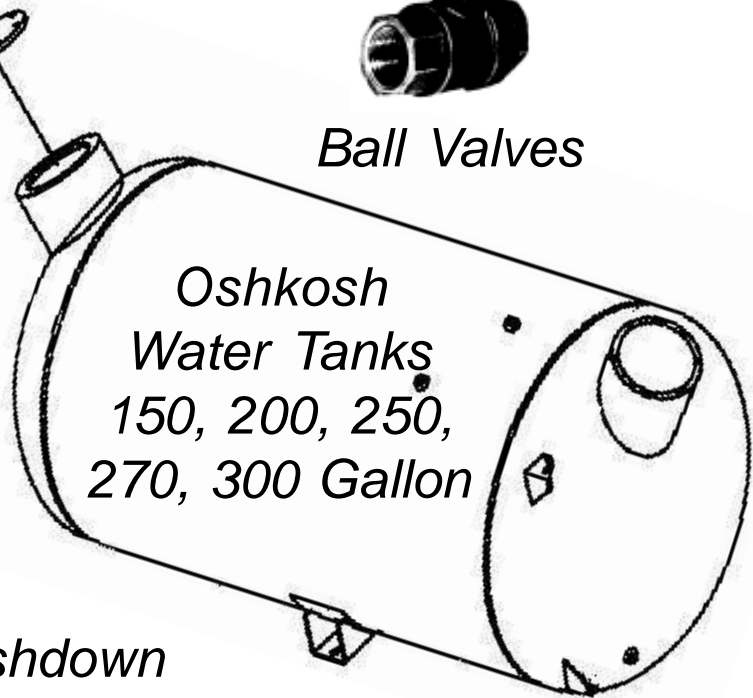


Advance
Cover Assemblies

Oshkosh McNeilus
Flapper Assemblies



Ball Valves

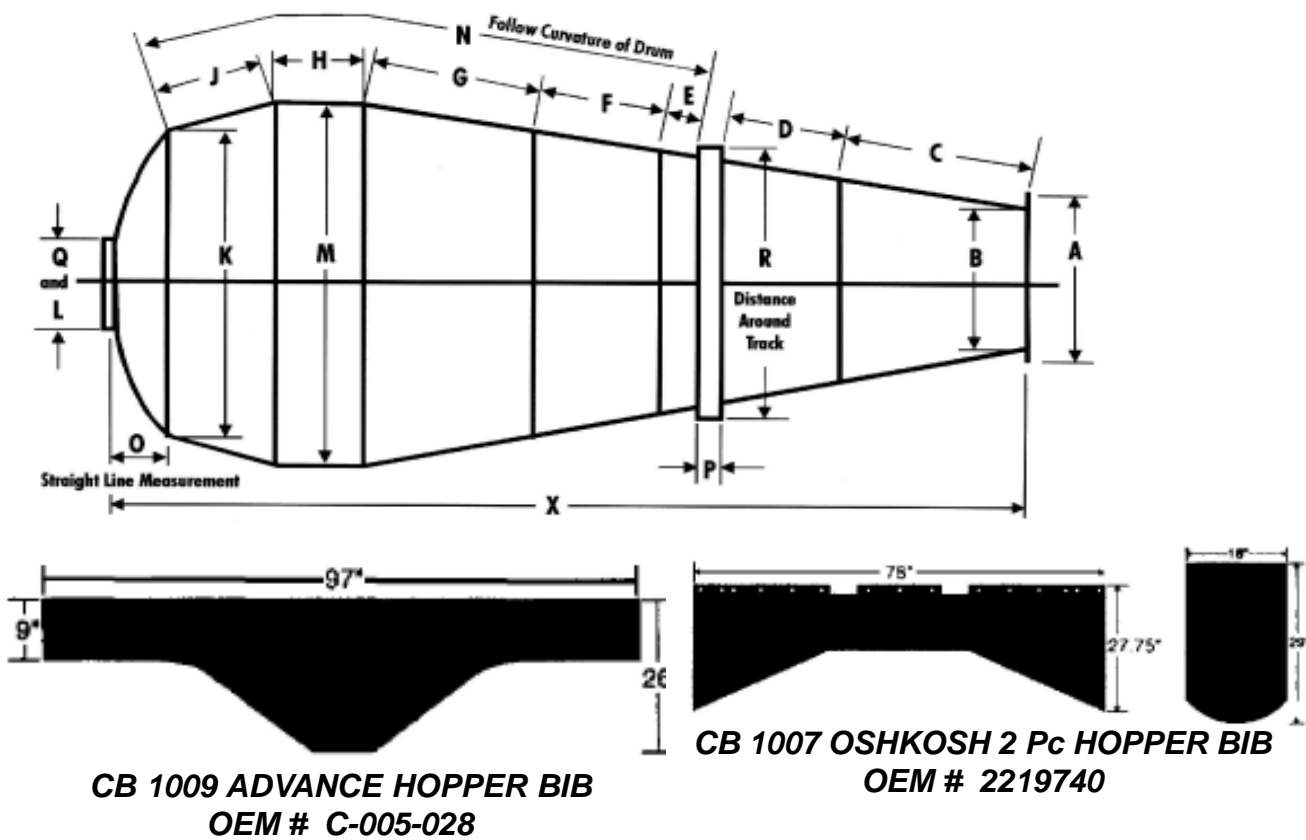


Washdown
Hoses & Nozzles

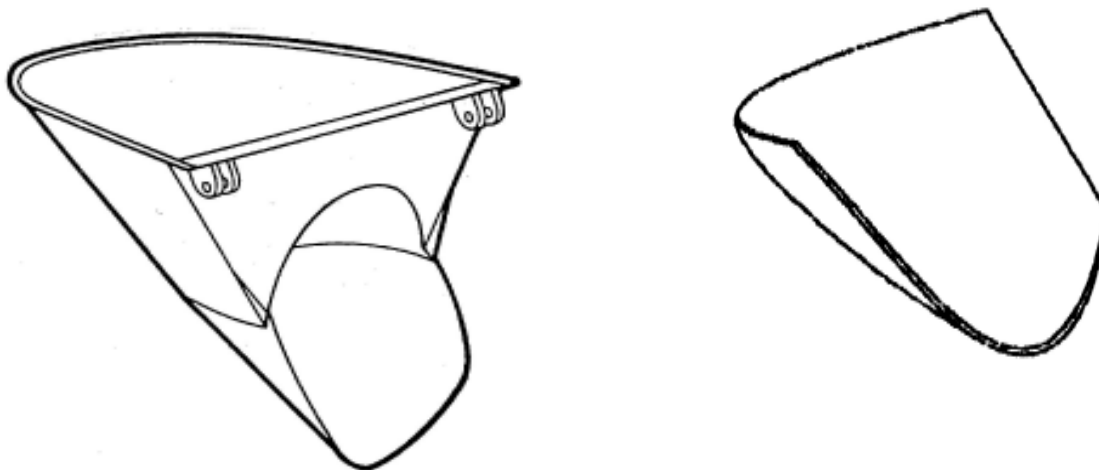
Concrete Mixer Supply, Olean, New York
Front Discharge Mixers

Mixer Maintenance

Front Discharge Drums



Charge Hoppers and Liners

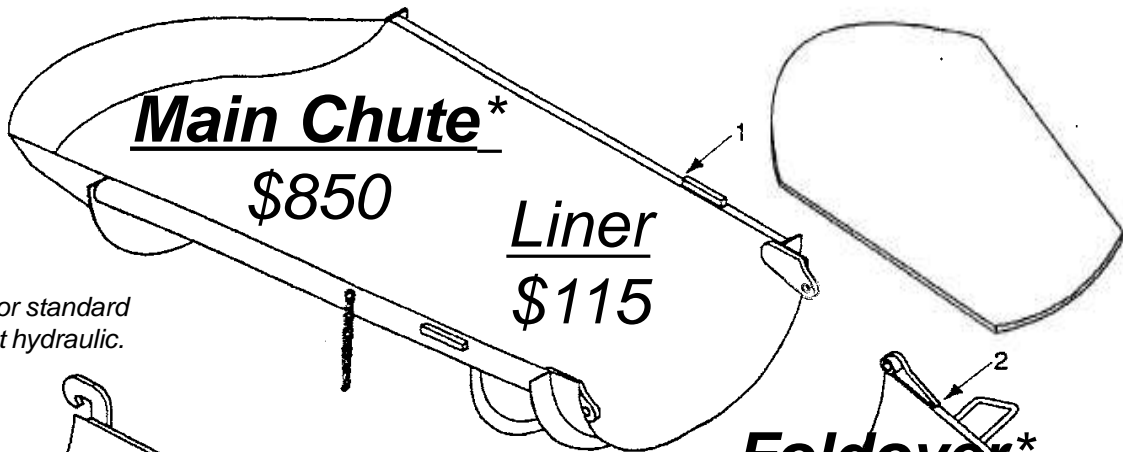


Concrete Mixer Supply, Olean, New York
Front Discharge Mixers

Mixer Maintenance

**Call for pricing
on the power chutes*

**Mixer Truck
Chutes & Liners**



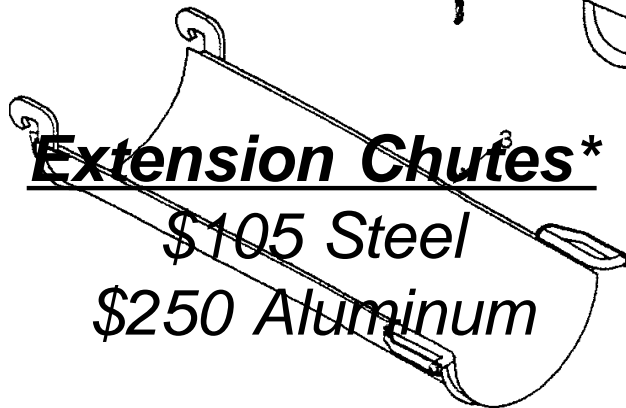
Main Chute*

\$850

Liner

\$115

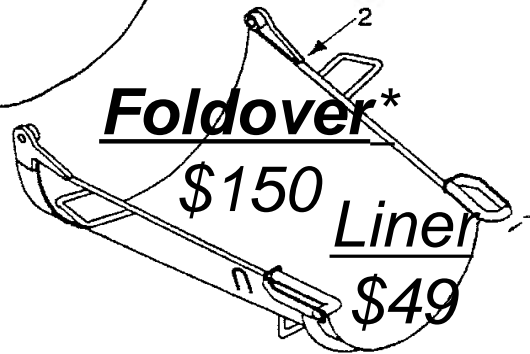
**Price is for standard
chutes not hydraulic.*



Extension Chutes*

\$105 Steel

\$250 Aluminum



Foldover*

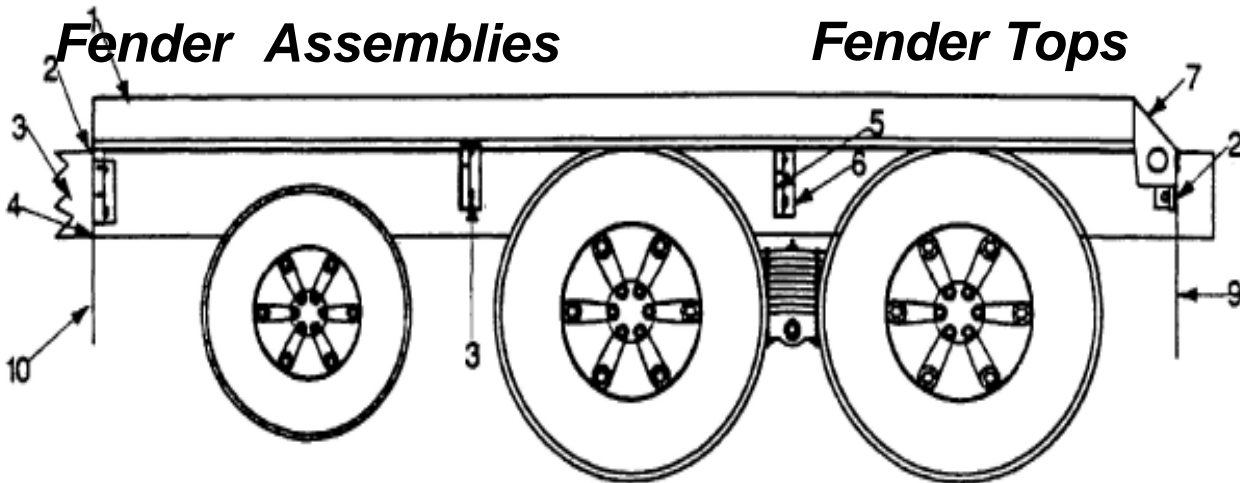
\$150

Liner

\$49

**Oshkosh & Advance
Fender Assemblies**

**Steel and Aluminum
Fender Tops**



Concrete Mixer Supply, Olean, New York

Front Discharge Mixers

Mixer Maintenance

Parts Pricing

**McNeilus/Oshkosh
Tank Flapper Assy**

\$49

6-3/4" Flapper

\$16.95



**Pop-Off
Valve**

\$12.50



2" Air Gauges

\$14.50

25' Black Hose \$19.95

10' Hose \$5

Gilmore Nozzle \$5.50



Piggy Back Chute Cylinder

\$575

Sight Gauge Strips

\$20

2-1/2 Slump Meter Gauge

\$37.95

4" Slump Meter Gauge

\$69



Brass Ball Valves

1" - \$11.00

1-1/4 - \$16.50



**Adjustable
Air Regulator**

\$25