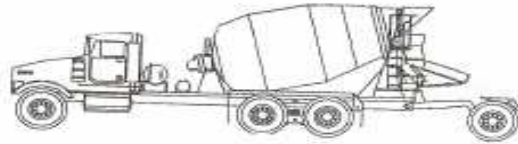


Bridge Mixers



Concrete Mixer Supply,
OLEAN, New York

Kimble

McNeilus

London

Call Toll Free
877-254-0715
We accept Credit Cards



Smith

Terex

Rex

Note - When ordering parts its best to have mixer make, serial # and year of truck.

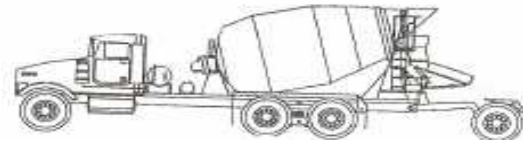
visit our website www.concretemixersupply.com

Toll Free -877-254-0715

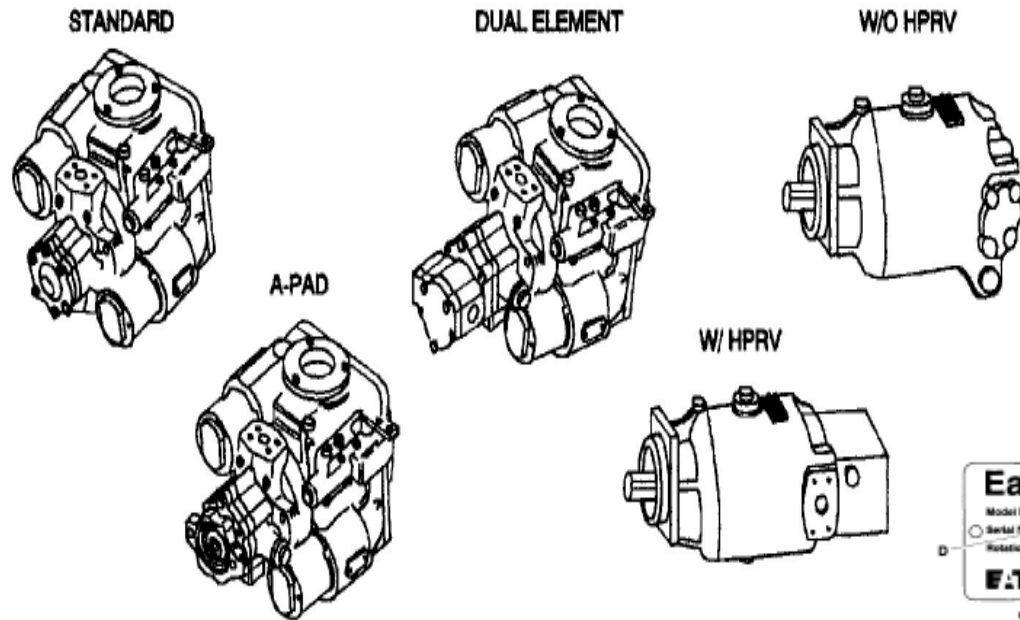
Cell -716-498-0299

Fax- 716-701-6747

Bridge Mixers

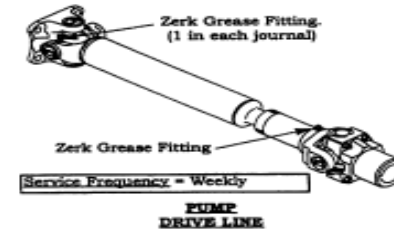


Concrete Mixer Supply,
OLEAN, New York



*Eaton & Parker - Pressure
Compensated Piston Pumps*

Drive Shaft Assemblies starting at \$175

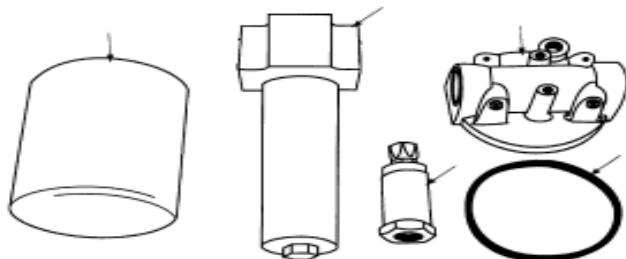


Eaton Rebuilt Pump
\$975 + core

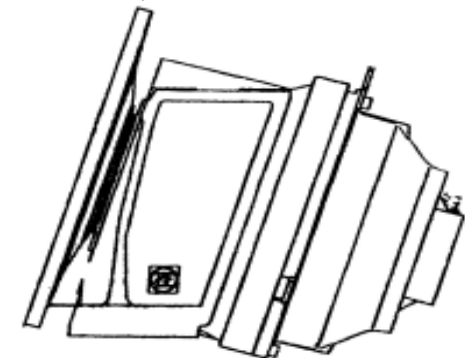
Eaton Rebuilt Motor
\$675 + core

ZF Rebuilt Gearbox
\$2695 + core

Hydraulic Filters



Have Model # and Serial #
when ordering
gearbox, pumps and motors



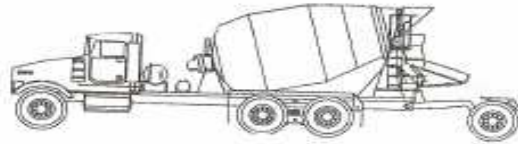
visit our website www.concretemixersupply.com

Toll Free -877-254-0715

Cell -716-498-0299

Fax- 716-701-6747

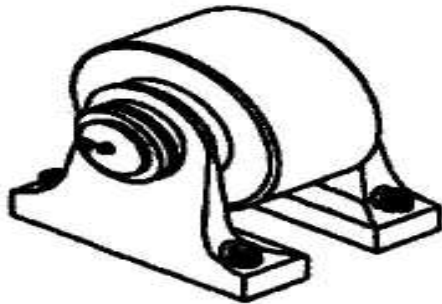
Bridge Mixers



Concrete Mixer Supply,
OLEAN, New York

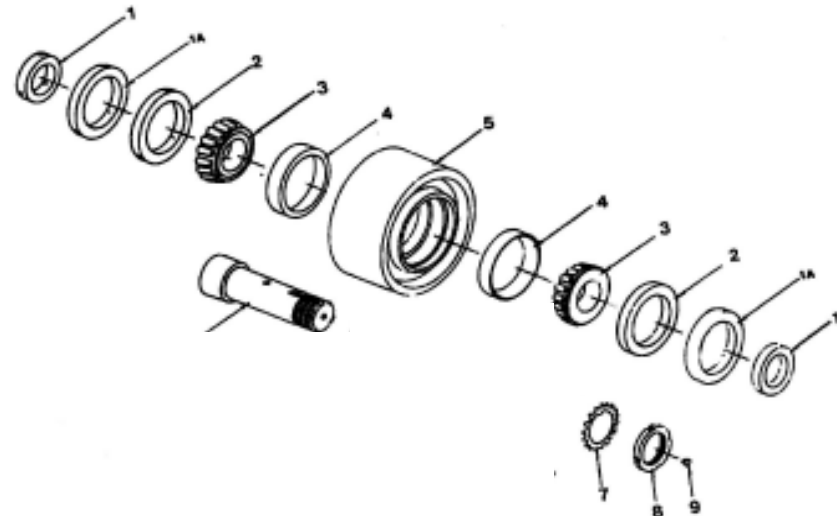
Kimble-McNeilus-Smith-London-Rex

Buy any 4
complete rollers
\$250 each
we'll pay the
Freight



*Drum Rollers are surface hardened,
fully assembled and greased ready to install.*

@



Drum Roller Repair Kit

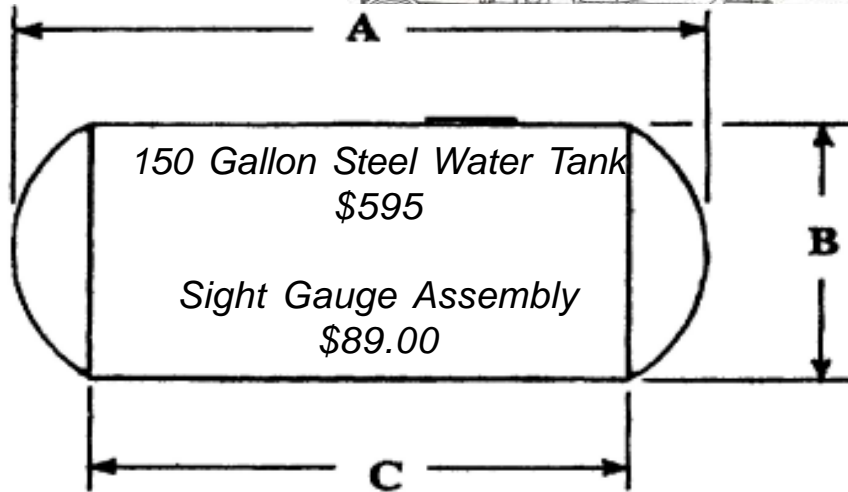
Hardened Roller, 2 Cups, 2 Cones, 2 Seals, Spacers & Shaft

Kimble-McNeilus-Smith-London-Rex

Kit Price \$150

(shipping not included)

Bridge Mixers



Concrete Mixer Supply,
OLEAN, New York

McNeilus Tank
Flapper Assy
\$49
6-3/4" Flapper
\$16.95

Pop-Off
Valve
\$12.50

25' Washout Hose \$15.50
Gilmore Nozzle \$5.39



2" Air Gauges
\$14.50



3Way Valve
\$16.50

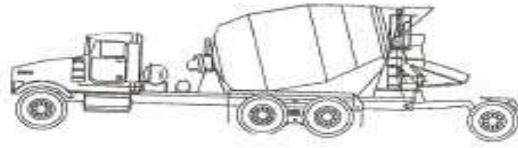


Adjustable
Air Regulator
\$25

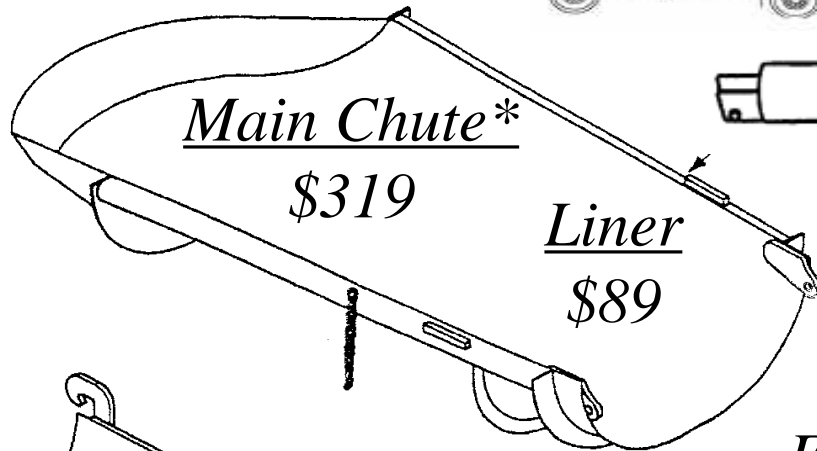
Brass Ball Valves
1" - \$11.00
1-1/4" - \$16.50



Bridge Mixers

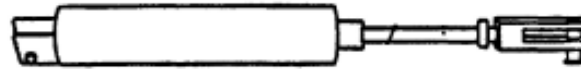


Concrete Mixer Supply,
OLEAN, New York



Main Chute*
\$319

Liner
\$89



Hopper Lift
Cylinder \$169

1" Water Tee
Assembly \$40

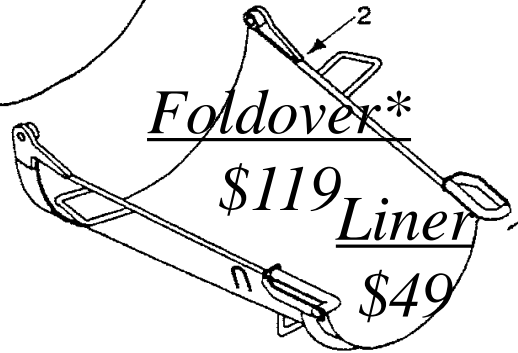


Chute Holddowns \$5

MTM & Smith Manual
Chute Locks \$59



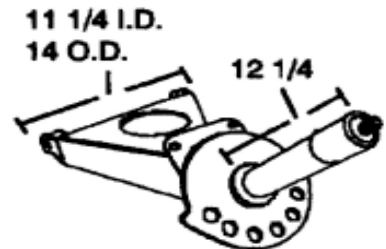
Extension Chutes*
\$95 Steel
\$199 Aluminum
with liner \$225



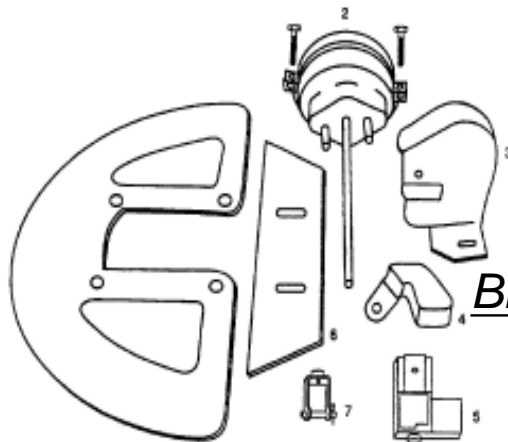
Foldover*
\$119
Liner
\$49

Chute Pivot \$219
Bearings & Seals \$125

Plastic Chute
Scrapers \$16.50



7/8" BUSHINGS

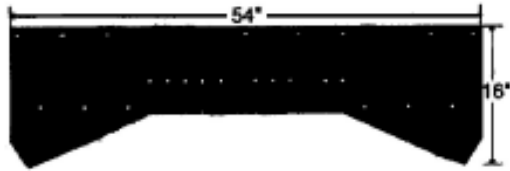


Air Chute
Brake Assemblies \$350

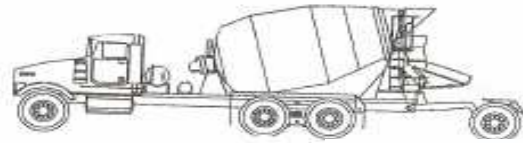
(Some wiring required)

A-Frame Support \$425
Single & Double Acting
Chute Cylinder \$175

Bridge Mixers



McNeilus Discharge Bibs
\$29

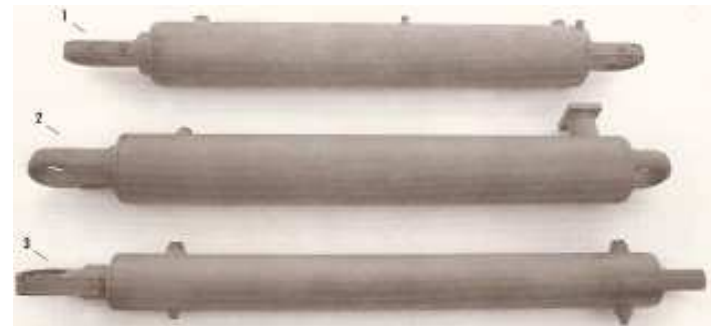


Concrete Mixer Supply,
OLEAN, New York

Replacement
axle parts

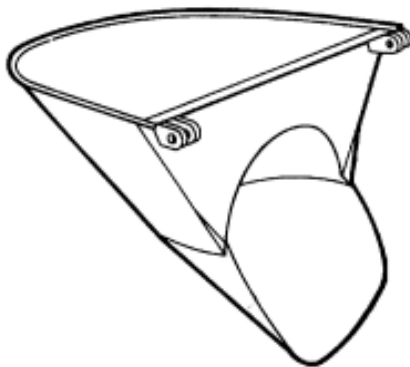


Remanufactured
Booster Rams

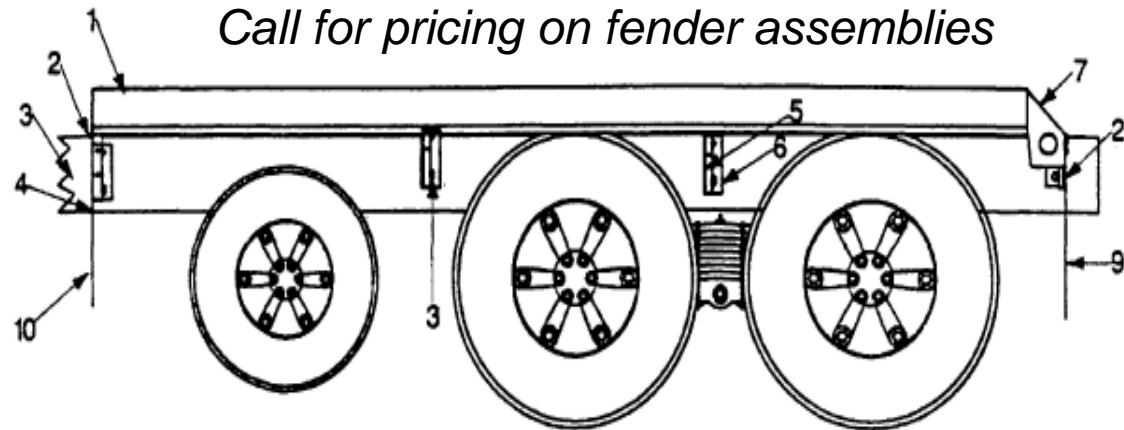


Controls & Switches

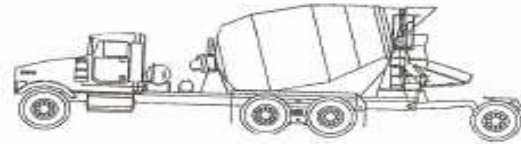
Charge Hoppers starting
at \$385



Call for pricing on fender assemblies

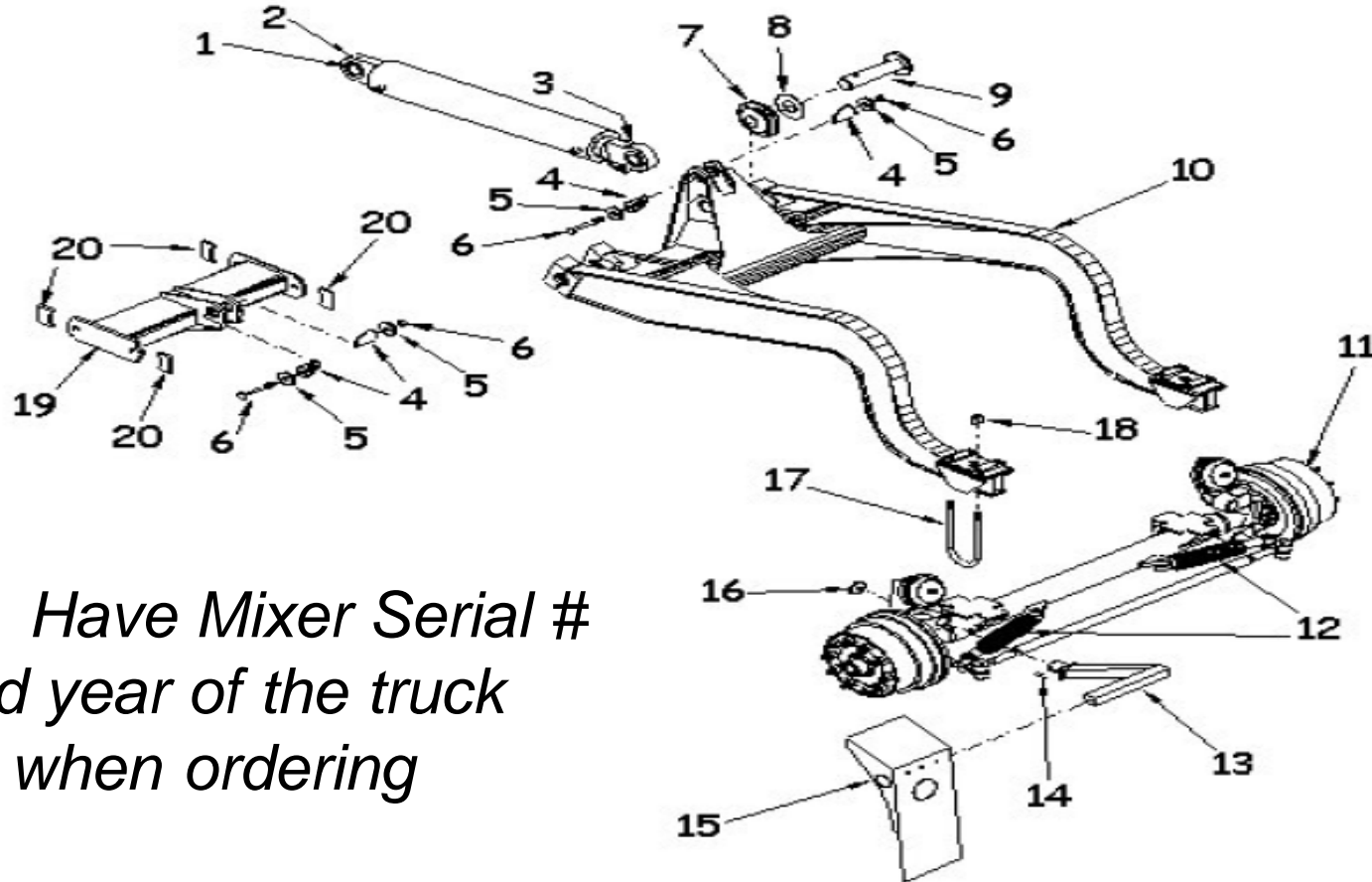


Bridge Mixers



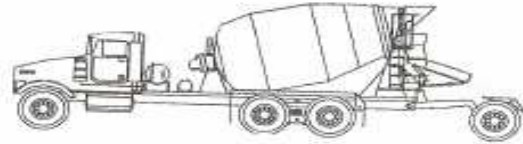
Concrete Mixer Supply,
OLEAN, New York

Replacement Trailer parts



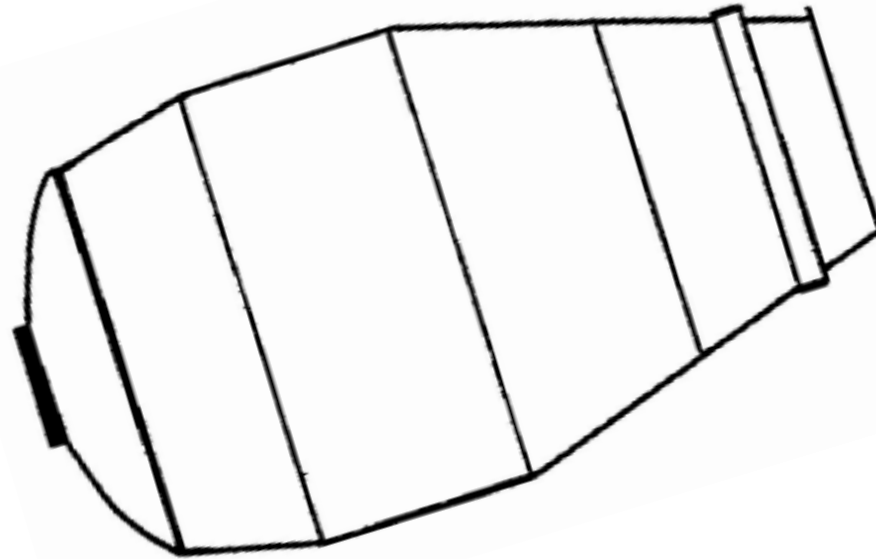
*Note: Have Mixer Serial #
and year of the truck
when ordering*

Bridge Mixers



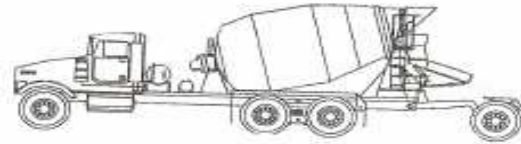
Concrete Mixer Supply,
OLEAN, New York

*Replacement Mixer Drums
Rear Discharge & Front Discharge*



*Rear Pedestals Complete
Front Pedestals Built to order*

Bridge Mixers



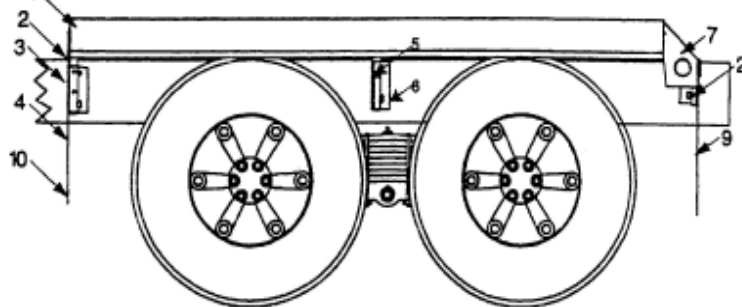
Concrete Mixer Supply,
OLEAN, New York

Fender Tops & Assemblies

Tandem Axle Trucks

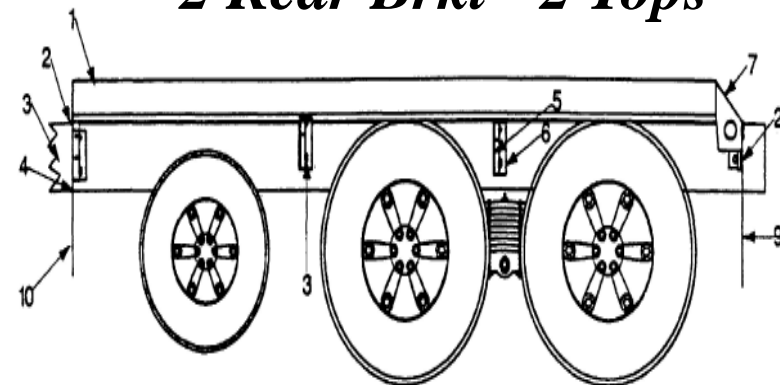
**12ga Heavy Duty Smooth Steel
Fender Top \$149 ea No Rib
Fender Kits \$595* 2 Front Brkt -
2 Rear Brkt - 2 Tops
MTM 107" w Lite Holes -
Smith 112" Rex**

London



Tri Axle Trucks

**14ft Fender (One Piece)
Steel Top
14ga Tops \$279 each
- 14ga Kits \$995*
Kits are 4 Front Brkt -
2 Rear Brkt - 2 Tops**



**Light Kit ,Fender Mounting Bolts and Mud Flaps sold separately*